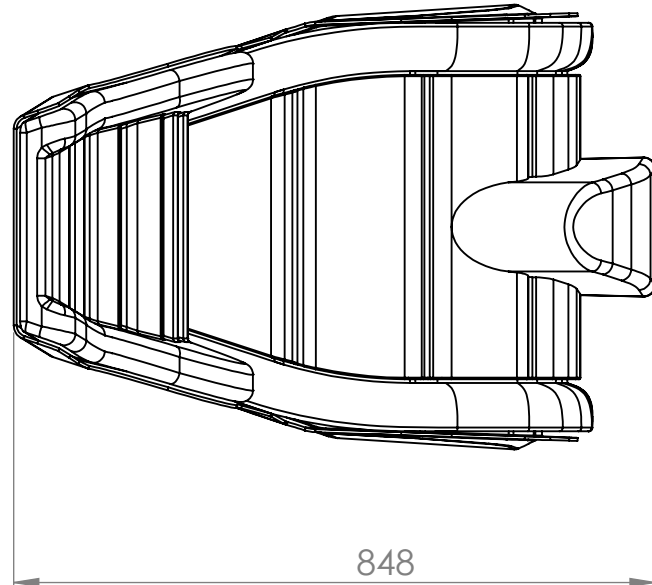
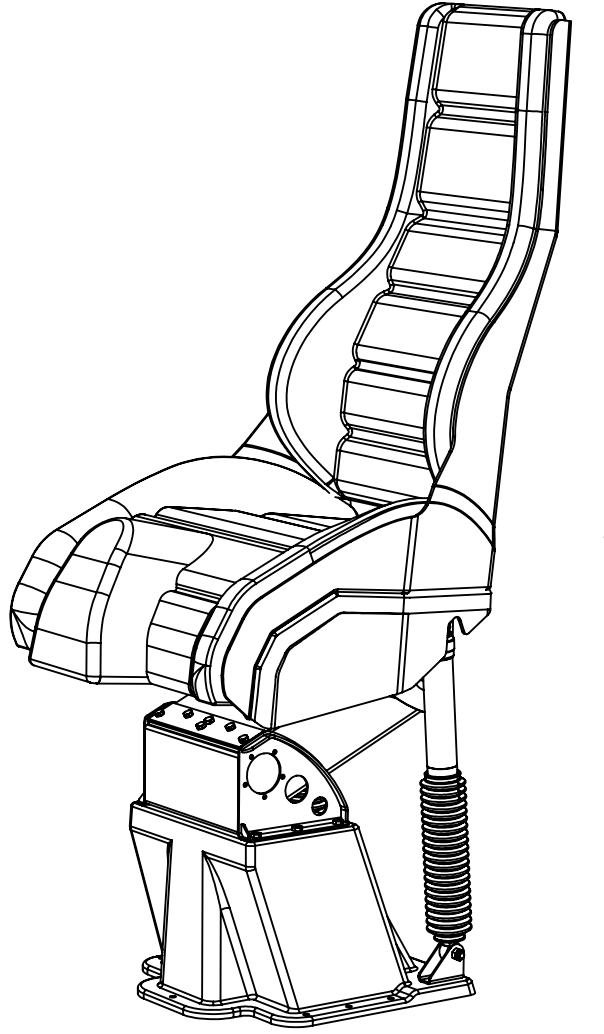


Uncompressed seating height



Seat model	Atlantic Crew
Version	Standard
Spring unit	ALM 3D
Damper	Twin UD 530
Upholstery	Vinyl std. (leather opt.)
Vertical stroke	200 mm
Weight	41.9 kg / 92 lbs
Optional accessories included in drawing	None

**CONFIDENTIALITY:**  
 All drawings, data, information and documentation provided by Ullman Dynamics AB, or available from the goods supplied by Ullman Dynamics AB shall be treated, by the Customer as strictly confidential and shall not be revealed by the Customer to any third party. This provision in no way derogates from Ullman Dynamics AB's normal copyright or other intellectual property right in any of its supplies which a fortiori shall be respected fully by the Customer.

DO NOT SCALE DRAWING		REVISION	
 Ullman PROTECTING PEOPLE			
Atlantic Crew			
DWG NO.		A3	
ATL CRW		2017-11-16	
SCALE:1:10		SHEET 1 OF 1	