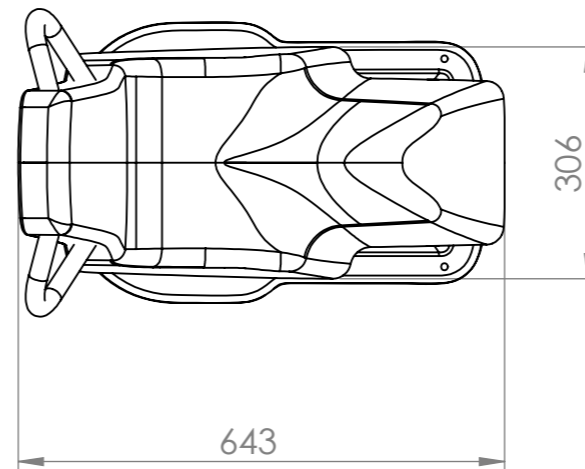
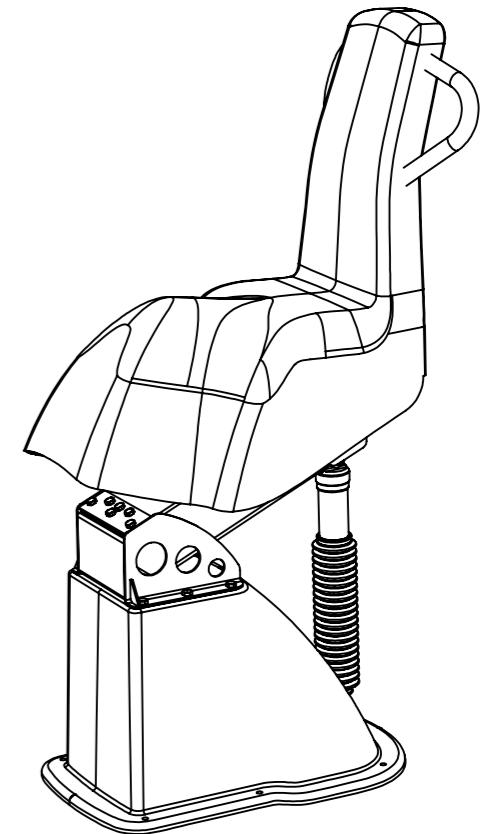


Uncompressed seating height



Seat model	Biscaya
Version	XLT 750
Spring unit	XLT 3D
Damper	UD 430
Upholstery	Neoprene
Vertical stroke	150 mm
Weight	20kg / 44 lbs (excl. accessories)
Optional accessories included in drawing	None

CONFIDENTIALITY:
 All drawings, data, information and documentation provided by Ullman Dynamics AB, or available from the goods supplied by Ullman Dynamics AB shall be treated, by the Customer as strictly confidential and shall not be revealed by the Customer to any third party. This provision in no way derogates from Ullman Dynamics AB's normal copyright or other intellectual property right in any of its supplies which a fortiori shall be respected fully by the Customer.

DO NOT SCALE DRAWING	REVISION
Biscaya XLT 750	
DWG NO.	A3
BIS XLT 750	2017-11-27
SCALE:1:10	SHEET 1 OF 1