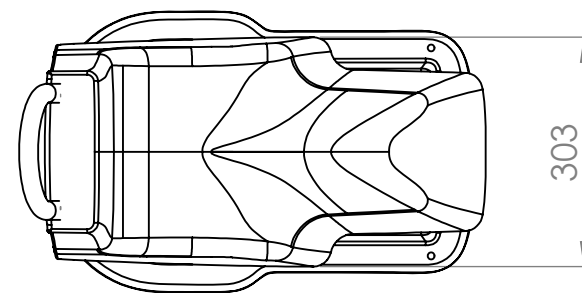
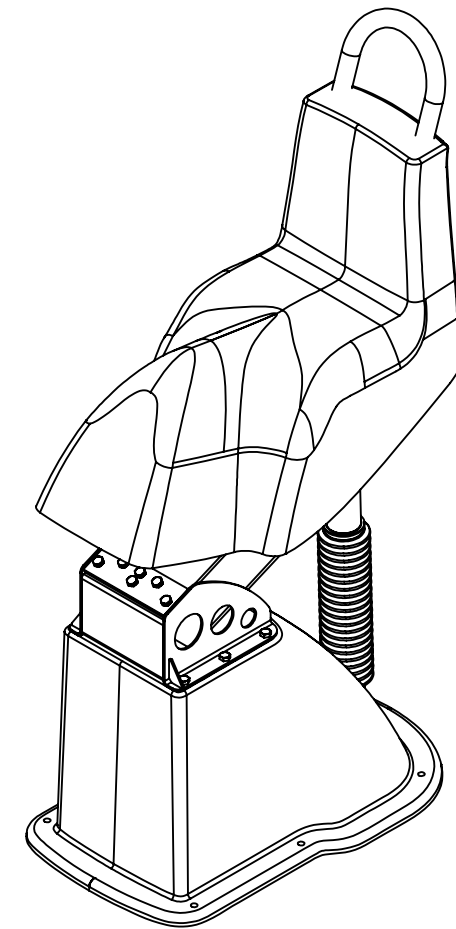


Uncompressed seating height



<b>Seat model</b>	Compact
<b>Version</b>	XLT 750
<b>Spring unit</b>	XLT 3D
<b>Damper</b>	UD 430
<b>Upholstery</b>	Neoprene
<b>Vertical stroke</b>	150 mm
<b>Weight</b>	19kg / 41,9 lbs (excl. accessories)
<b>Optional accessories included in drawing</b>	None

**CONFIDENTIALITY:**  
 All drawings, data, information and documentation provided by Ullman Dynamics AB, or available from the goods supplied by Ullman Dynamics AB shall be treated, by the Customer as strictly confidential and shall not be revealed by the Customer to any third party. This provision in no way derogates from Ullman Dynamics AB's normal copyright or other intellectual property right in any of its supplies which a fortiori shall be respected fully by the Customer.

DO NOT SCALE DRAWING	REVISION
Compact XLT 750	
DWG NO.	A3
<b>COM XLT 750</b>	2017-11-24
SCALE:1:10	SHEET 1 OF 1