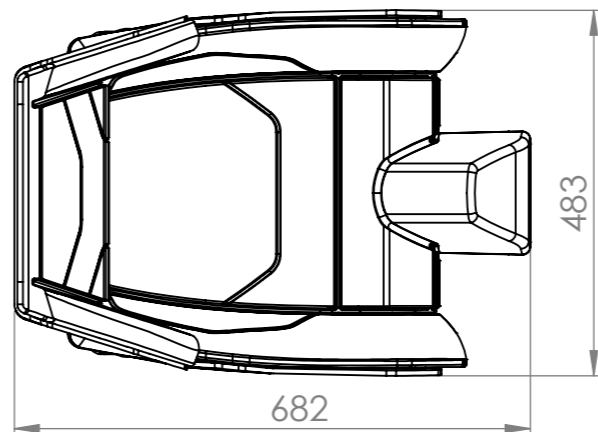


<b>Seat model</b>	Echelon
<b>Version</b>	Sport back / Jockey front
<b>Spring unit</b>	ALM 3D
<b>Damper</b>	Twin UD 530
<b>Upholstery</b>	Vinyl std. (leather opt.)
<b>Vertical stroke</b>	200 mm
<b>Weight</b>	38kg / 84 lbs
<b>Optional accessories included in drawing</b>	None

**CONFIDENTIALITY:**  
 All drawings, data, information and documentation provided by Ullman Dynamics AB, or available from the goods supplied by Ullman Dynamics AB shall be treated, by the Customer as strictly confidential and shall not be revealed by the Customer to any third party. This provision in no way derogates from Ullman Dynamics AB's normal copyright or other intellectual property right in any of its supplies which a fortiori shall be respected fully by the Customer.



DO NOT SCALE DRAWING	REVISION
Echelon - Sport back / Jockey front	
DWG NO.	A3
<b>ECH SB JF</b>	
SCALE:1:10	SHEET 1 OF 1
2017-11-22	