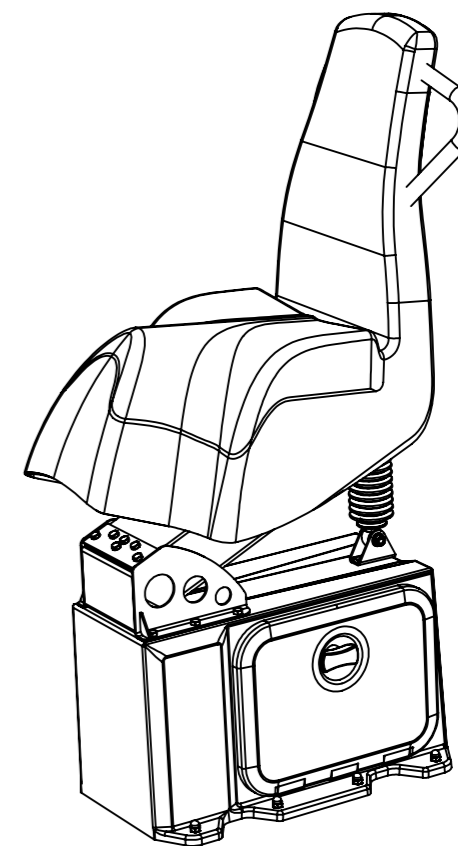
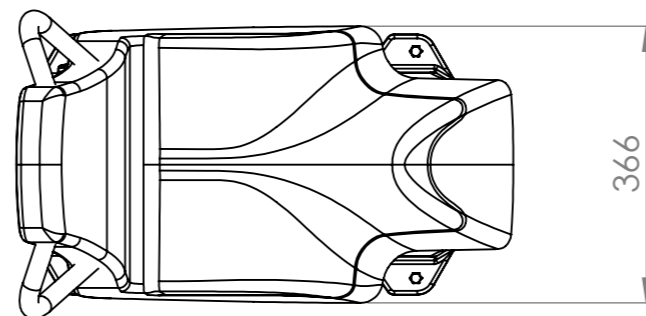


Uncompressed seating height



Seat model	Patrol
Version	XLT 00 MK3
Spring unit	XLT 3D
Damper	UD 430
Upholstery	Neoprene
Vertical stroke	150 mm
Weight	24kg / 53 lbs (excl. accessories)
Optional accessories included in drawing	Pedestal hatch

CONFIDENTIALITY:
 All drawings, data, information and documentation provided by Ullman Dynamics AB, or available from the goods supplied by Ullman Dynamics AB shall be treated, by the Customer as strictly confidential and shall not be revealed by the Customer to any third party. This provision in no way derogates from Ullman Dynamics AB's normal copyright or other intellectual property right in any of its supplies which a fortiori shall be respected fully by the Customer.

DO NOT SCALE DRAWING	REVISION
Patrol XLT 00 MK3 with hatch	
DWG NO. PAT XLT 00 MK3	A3 2019-11-05
SCALE:1:10	SHEET 1 OF 1